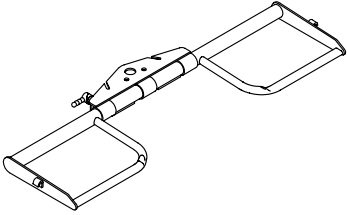
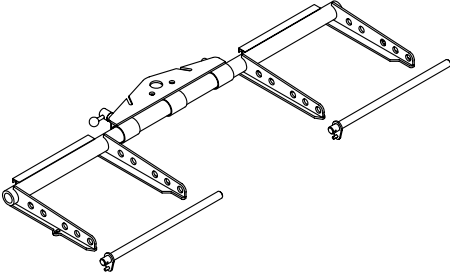
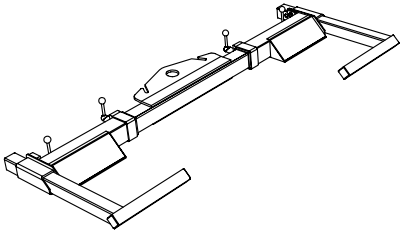
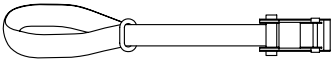
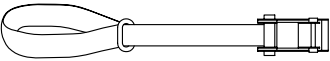
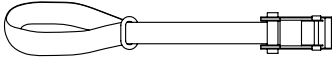
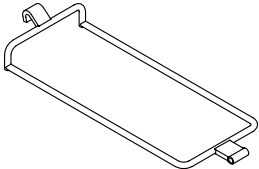
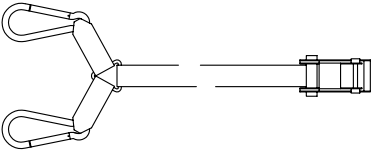
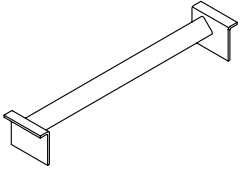
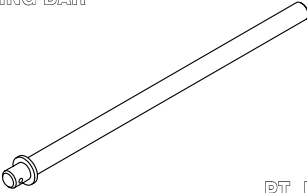
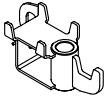



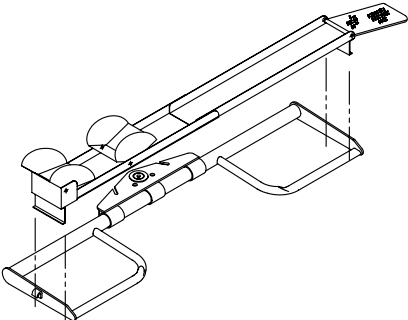
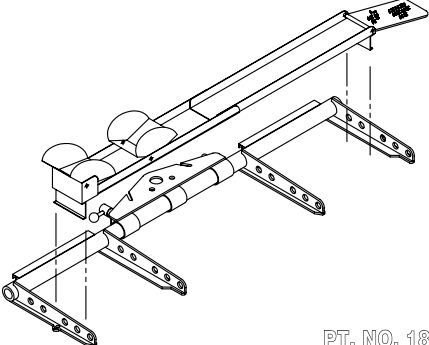
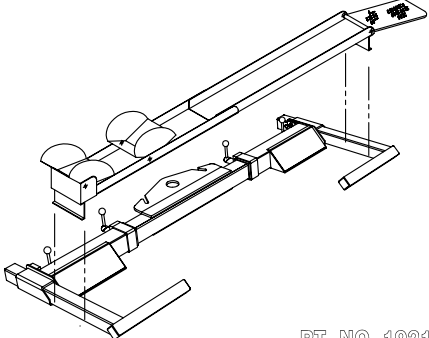


# ENFORCER 2 WHEEL GRID OPTIONS

	TYPE 'A'	TYPE 'B'	TYPE 'D'
WHEEL GRIDS			
STRAPS	2m LOOP  PT. NO. BOM269/9	2m LOOP  PT. NO. BOM269/9	2m LOOP  PT. NO. BOM269/9
	WHEEL FRAME  PT. NO. BOM269/12	'Y' STRAP  PT. NO. BOM269/SLIDE/1	
REDUCERS	DROP IN BAR  PT. NO. F1338A	LOCKING BAR  PT. NO. 1867	NOT APPLICABLE
FORKS & HOLDERS	NOT APPLICABLE		 FORK HOLDER PT. NO. 1780
			 LOW FORK PT. NO. 1784
			 STD FORK PT. NO. 2208/27
			 WIDE FORK PT. NO. 2208/28
M/CYCLE BUMP LOCK	 PT. NO. 5097	 PT. NO. 1875	 PT. NO. 1921